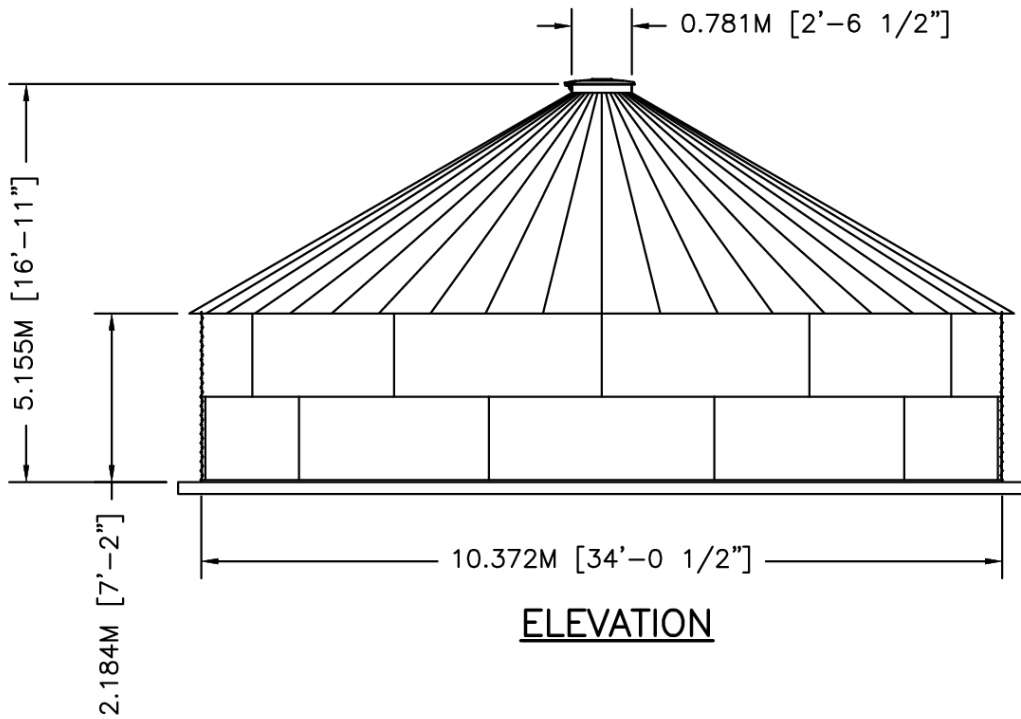


**PLAN**



**ELEVATION**



	BY	DATE	TITLE	
DWN	XXX	XX/XX/XX	WTU11-02 30"PR 30DEG V-RIB	
CKD			NOMINAL CAPACITY - 173.837 M3 [45,923 GAL]	
ENG			DWG. NO. SCT3402-VR WTU11-02	REV. NO.
	SIZE: A	SCALE: 1/8"=1'-0"	SHEET 1	OF 1